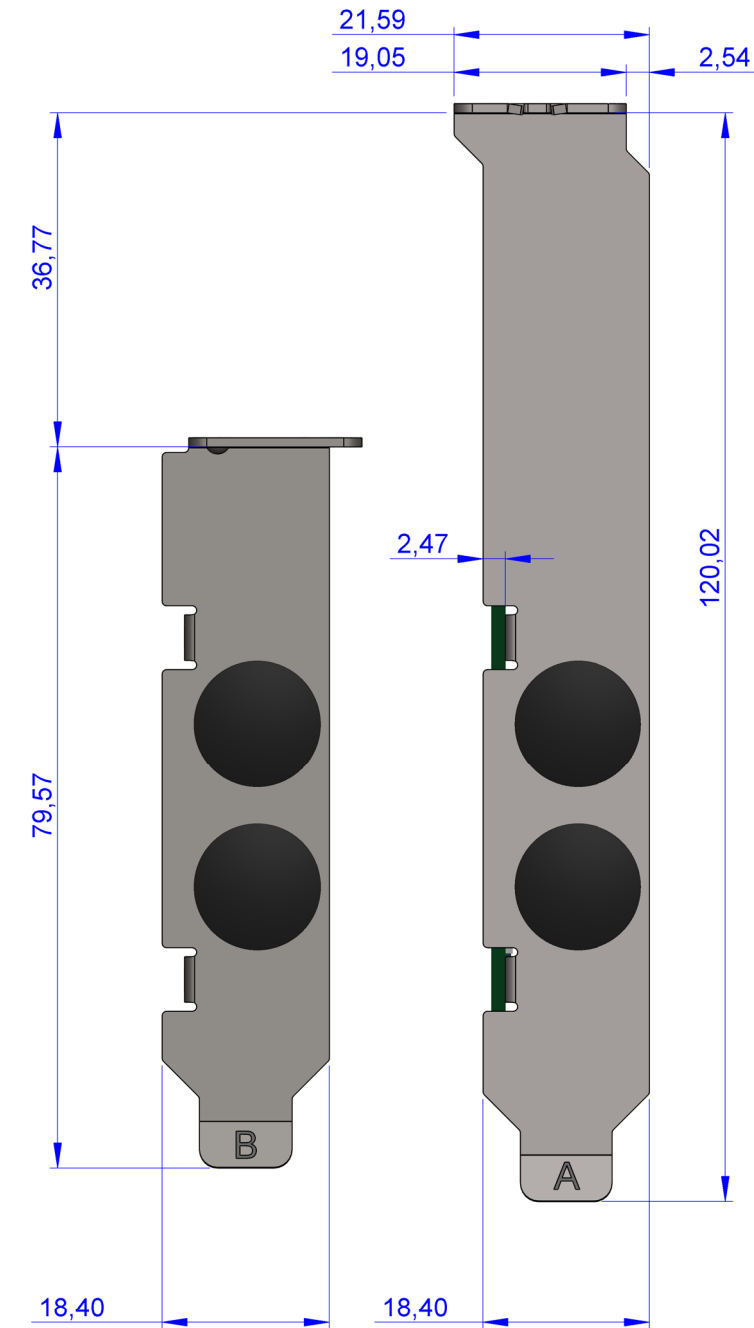
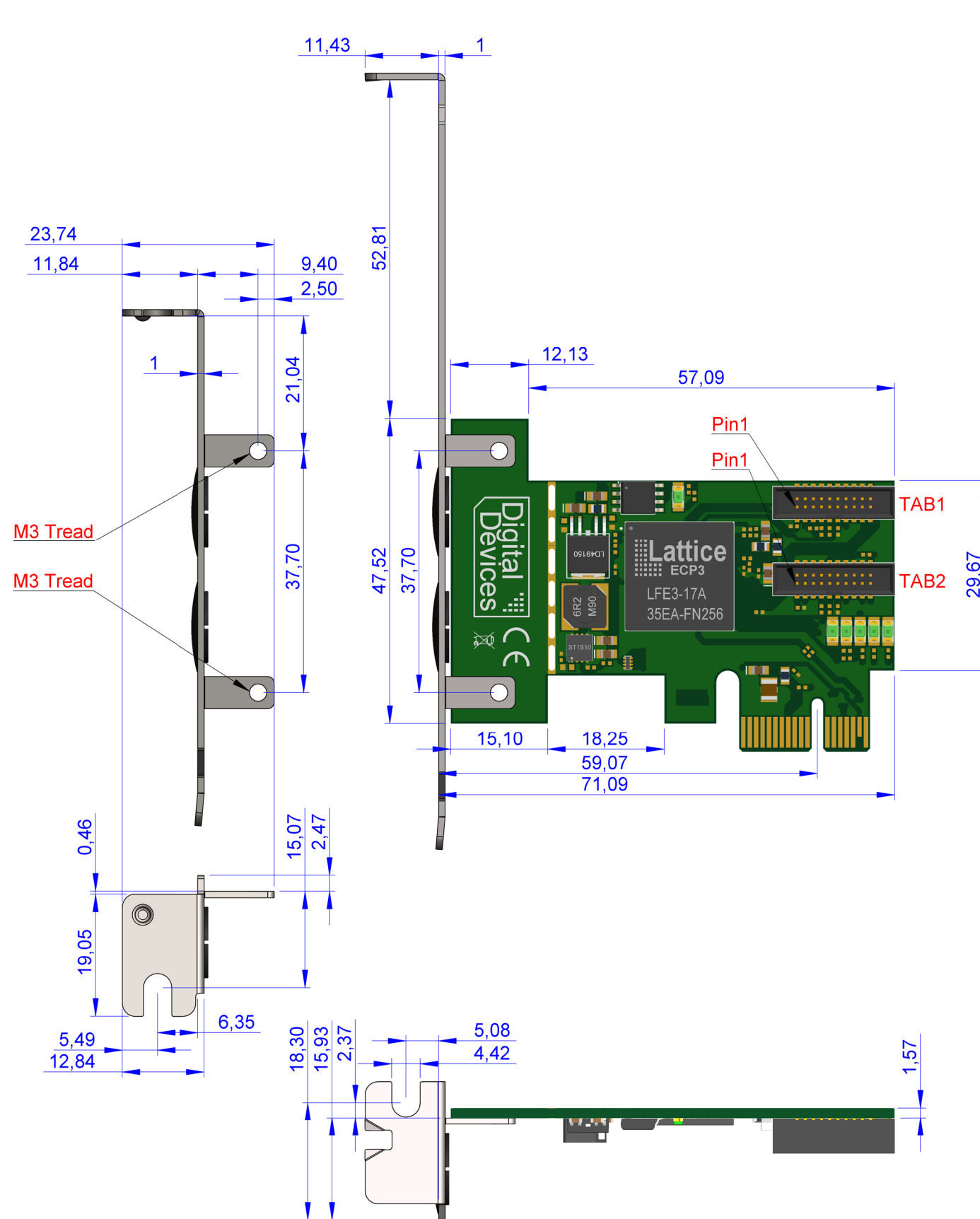


Technical Drawing

Oktopus LE PCIe Bridge for
2 x DuoFlex or CI Module



EAN Number	Part Description
4260217680235	Oktopus LE PCIe Bridge for 2 x DuoFlex or CI Module